

SERIES 701, 700, 150,
151, 152, AV 1201/1401
Domestic Warm Air Grilles,
Registers and Diffusers

PUBLICATION

DOMESTIC 1

NOV 2012



Features

- Comprehensive Range of Grilles, Registers & Diffusers.
- Quality 1.2mm & 0.9mm Mild Steel Construction.
- Wide Range in Both Normal & Reverse Sizes.
- Standard Finish Options of White or Satin Silver
- Special Finishes Available to Ral Colour.



GILBERTS

DOMESTIC SERIES

Domestic Warm Air Grilles, Registers and Diffusers

Introduction

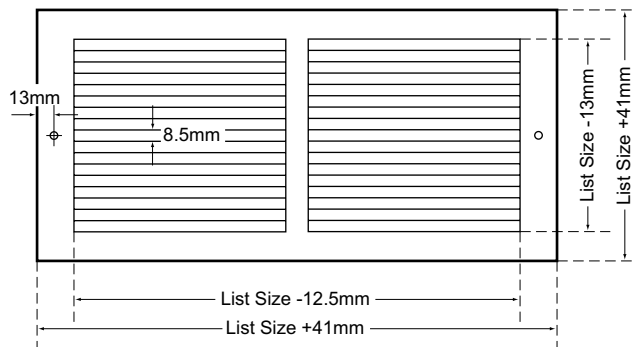
Gilberts Domestic Series presents a range of mild steel grilles, registers and diffusers designed to satisfy all types of warm air heating application in domestic dwellings, commercial properties and industrial premises. Manufactured using modern press machinery and production techniques, with all tooling maintained and up dated in our own in house engineering division, our domestic series remains one of the finest available in the UK. Robustly fabricated from 1.2mm and 0.9mm mild steel the range includes supply registers incorporating a lever

operated parallel linked damper, floor diffusers with foot operated volume control, ceiling diffusers with pull cord volume control and return air grilles.

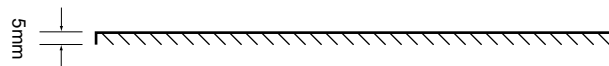
All units are available in a wide variety of sizes to suit differing requirements and are available in Polyester powder White as standard with Satin Silver finish also available at no extra cost. Powder and Stove enamel finishes to other RAL colours on request.

Series 700

Return Air Grille For Residential Warm Air Heating



FRONT ELEVATION



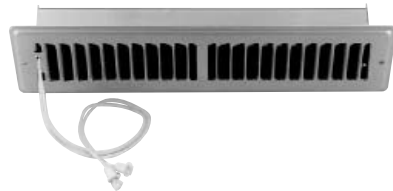
SECTIONAL ELEVATION

SIZE RANGE AND FREE AREAS
BACK COVER

The 700 Series provides a range of attractive sidewall return air grilles comprising of horizontal louvres set on 8.5mm centres with a 30° downward deflection. Sturdily constructed from top quality 0.9mm mild steel sheet the units are

available in a wide variety of list sizes and are finished as standard in Polyester Powder White. A Satin Silver finish also available at no extra cost.

Series 150,
151 & 152
Floor and Ceiling
Diffusers

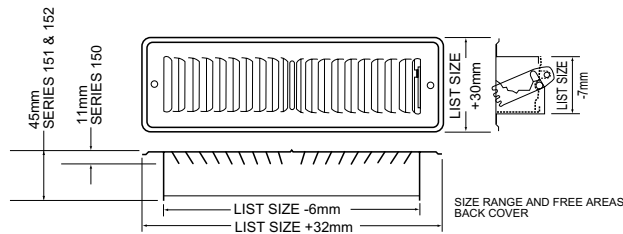


TYPE 150
RETURN AIR FACE



TYPE 152 & 153
CEILING DIFFUSERS

TYPE 151
FLOOR DIFFUSER



The 150 Series provides a range of supply and extract grilles and diffusers for floor, ceiling, sidewall and cill mounting. Fabricated from top quality 1.2mm mild steel the face louver blades are centrally split both right and left handed and set on an increasing angle deflection to provide a good discharge and spread of air

TYPE 150

General purpose return air grille suitable for floor, ceiling, sidewall or cill mounting. Fixing holes and zinc plated self-tapping screws are provided.

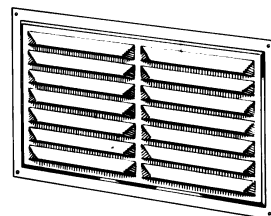
TYPE 151

Floor mounting supply diffuser complete with foot operated volume control damper. No fixing required.

TYPE 152 & 153

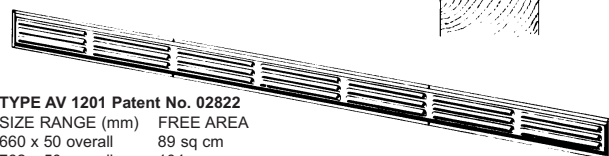
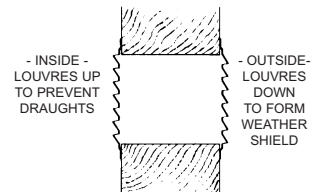
Ceiling mounting supply air diffuser complete with ring operated volume control damper (Type 153 uses a pull cord operated damper). Foam sealing gasket, fixing holes and zinc plated self tapping screws are provided. The units are available in 6 list sizes and are finished Polyester Powder White as standard. A Satin Silver finish is also available at no extra cost. Other special finishes to RAL colour available on request.

Series
AV1201/1401
Combustion
Air Grilles



TYPE AV 1401
SIZE RANGE (mm) FREE AREA
229 x 75 overall 27 sq cm
229 x 152 overall 67 sq cm

FIXING INSTRUCTIONS
Using a 32mm Dia. Bit arrange suitable holes in structure to comply with the free area requirements and secure Grilles with screwnails provided.



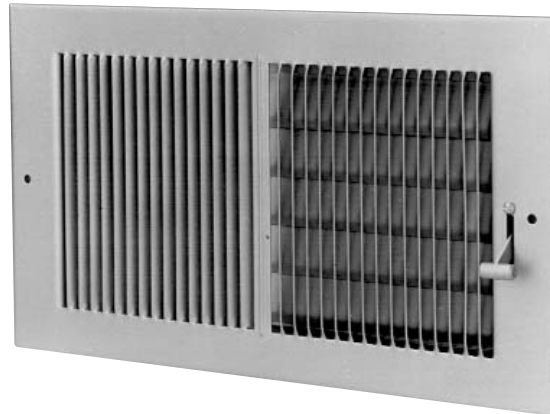
TYPE AV 1201 Patent No. 02822
SIZE RANGE (mm) FREE AREA
660 x 50 overall 89 sq cm
762 x 50 overall 104 sq cm

The 1201 and 1401 Series offer a range of natural ventilation and combustion air grilles for internal and external sidewall and door mounting applications. Manufactured from 0.8mm aluminium sheet the units are supplied mill finish and complete with 2.5 x 24mm spiral pin zinc plated screwnails. The patented 1201 Series was originally designed in conjunction with Mr B J Kipling, Senior Heating Designer of

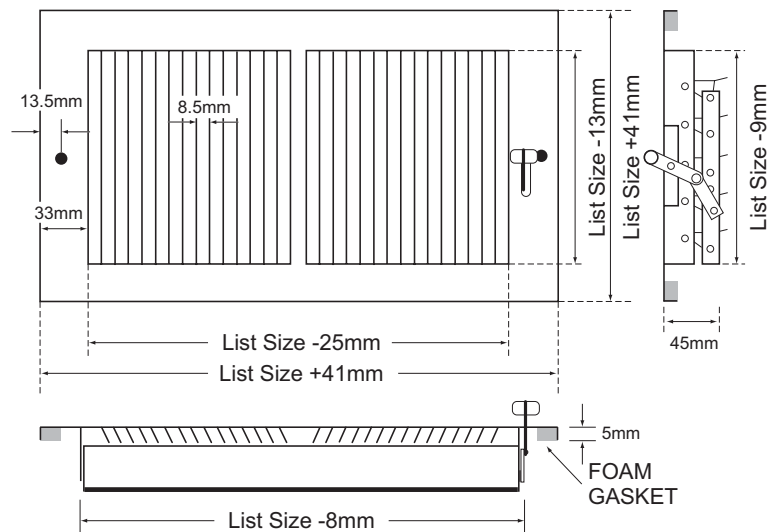
the Tees Division of the Northern Gas Board. Refer to BS 5440 Part 2 for free area requirements and fixing instructions.



Series 701
**Supply Registers
 For Residential
 Warm Air Heating**



TYPE 701



SIZE RANGE AND FREE AREAS
 BACK COVER

Note: Actual dimensions may vary marginally from listed data according to unit size, but they will always fit the list size apertures.

Exact data available on request.

The **701 Series** provides a range of sidewall supply registers designed to complement the 700 Series return air grille. All models incorporate a lever operated, parallel linked volume control damper to permit easy occupier adjustment of the air flow.

STANDARD UNIT: TYPE 701

Standard units comprise of Vertical louvres on 8.5mm centres handed left and right from centre with 30° deflection. Type 701LH (left hand), Type 701RH (right hand) and Type 701H (horizontal) deflection units are also available to special order. Available in a wide variety of both normal and reverse list sizes all units are robustly fabricated from top quality 0.9mm mild steel and

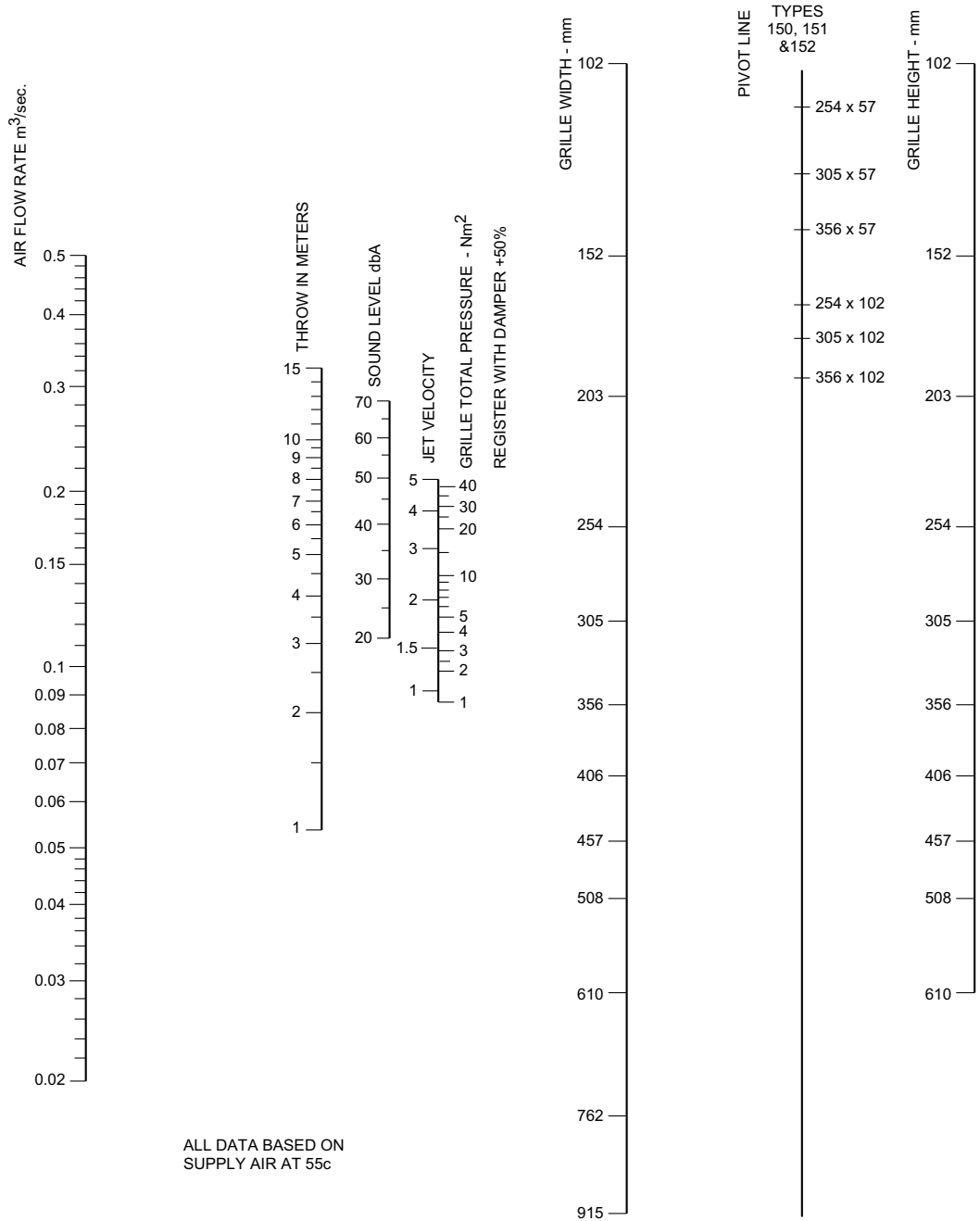
are finished Polyester Powder White as standard. A Satin Silver finish is also available at no extra cost. Supplied complete with zinc plated self tapping fixing screws foam plastic sealing gasket is also applied to ensure an airtight seal around the flanges.

Sizing Nomogram

Grilles and Registers

PERFORMANCE DATA

SERIES 700 & 701



ALL DATA BASED ON
SUPPLY AIR AT 55c

DOMESTIC SERIES

Domestic Warm Air Grilles, Registers and Diffusers

SERIES 700

SIZE RANGE mm (w x h)	FREE AREA sq.cm	REVERSE SIZE RANGE mm (w x h)
102 x 102	63	
152 x 102	98	
203 x 102	125	102 x 152
254 x 102	161	102 x 203
305 x 102	197	102 x 254
356 x 102	232	102 x 305
406 x 102	241	102 x 356
457 x 102	295	102 x 406-
508 x 102	322	102 x 457
610 x 102	393	102 x 508
152 x 152	152	102 x 610
203 x 152	193	152 x 203
254 x 152	249	152 x 254
305 x 152	304	152 x 305
356 x 152	359	152 x 356
406 x 152	373	152 x 406
457 x 152	456	152 x 457
508 x 152	497	152 x 508
610 x 152	608	152 x 610
203 x 203	262	
254 x 203	336	203 x 254
305 x 203	411	203 x 305
356 x 203	486	203 x 356
406 x 203	505	203 x 406
457 x 203	617	203 x 457
508 x 203	673	203 x 508
610 x 203	823	203 x 610
254 x 254	424	
305 x 254	519	254 x 305
356 x 254	613	254 x 356
406 x 254	636	254 x 406
457 x 254	778	254 x 457
508 x 254	849	254 x 508
610 x 254	1037	254 x 610
305 x 305	626	
356 x 305	740	305 x 356
406 x 305	768	305 x 406
457 x 305	939	305 x 457
508 x 305	1024	305 x 508
610 x 305	1252	305 x 610
356 x 356	866	
406 x 356	900	356 x 406
457 x 356	1100	356 x 457
508 x 356	1200	356 x 508
610 x 356	1466	356 x 610
406 x 406	1031	
457 x 406	1261	406 x 457
508 x 406	1375	406 x 508
610 x 406	1681	406 x 610
457 x 457	1422	
508 x 457	1551	457 x 508
610 x 457	1895	457 x 610
508 x 508	1726	
610 x 508	2110	508 x 610
610 x 610	2539	

Standard sizes normally held in stock.
Reverse sizes not normally held in stock and may be subject to minimum order quantity.

SERIES 701

SIZE RANGE mm	TYPE			FREE AREA sq.cm
	701	701LH/RH	701H	
102 x 102	●	●		46
152 x 102	●	●	●	80
203 x 102	●	●	●	114
254 x 102	●	●	●	148
305 x 102	●	●	●	182
356 x 102	●	●	●	216
406 x 102	●	●		250
457 x 102	●	●		284
152 x 152	●	●		125
203 x 152	●	●	●	179
254 x 152	●	●	●	232
305 x 152	●	●	●	286
356 x 152	●	●	●	340
406 x 152	●	●		393
457 x 152	●	●		447
203 x 203	●	●		244
254 x 203	●	●	●	317
305 x 203	●	●	●	390
356 x 203	●	●	●	463
406 x 203	●	●		536
457 x 203	●	●		609
254 x 254	●			380
305 x 254	●			468
305 x 305	●			572
356 X 305	●			678
406 X 305	●			786
457 X 305	●			894

● - Indicates Size Available

Standard sizes normally held in stock. Reverse sizes, left/right hand deflection and horizontal deflection units available subject to min order quantity.

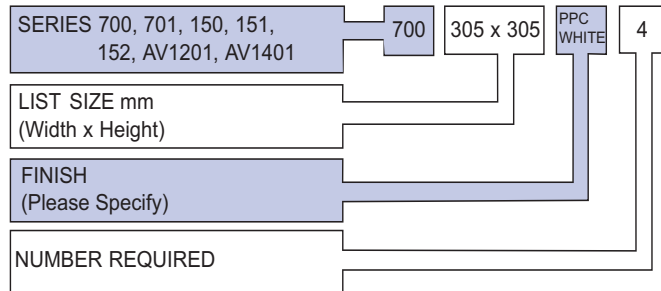
SERIES 150/151/152/153

SIZE RANGE mm	TYPE			FREE AREA sq.cm
	150	151	152/153	
254 x 57	●	●	●	98
305 x 57	●	●	●	116
356 x 57	●	●	●	136
254 x 102	●	●	●	177
305 x 102	●	●	●	213
356 x 102	●	●	●	245

● - Indicates Size Available

FREE AREAS: All data maximum free (geometric opening) area at factory setting. Due to manufacturing tolerances a variance of +0/-3% applies.

ORDERING SPECIFICATION



FINISH

STANDARD FINISH:
Series 700, 701, 150, 151 152 & 153
PPC White RAL 9010 20% Gloss
Series AV1201 & 1401
Natural 'Mill' finish

OPTIONAL FINISHES:

Satin Silver

SPECIAL FINISHES:

PPC to stock RAL colour.

FIXING

SERIES 700, 701, 150 & 152

Flange screw fixing using self tapping screws provided.

SERIES 151

No fixing holes as standard

SERIES AV 1201 & 1401

Screw nail fixing through flange.

NOTE: The number and location of fixing holes varies according to size. Please contact for details

GILBERTS

Head Office and Works
GILBERTS (BLACKPOOL) LTD
Gilair Works, Clifton Road,
Blackpool.
Lancashire FY4 4QT.
Telephone: (01253) 766911
Fax: (01253) 767941
e-mail: sales@gilbertsblackpool.com
Web: www.gilbertsblackpool.com

