

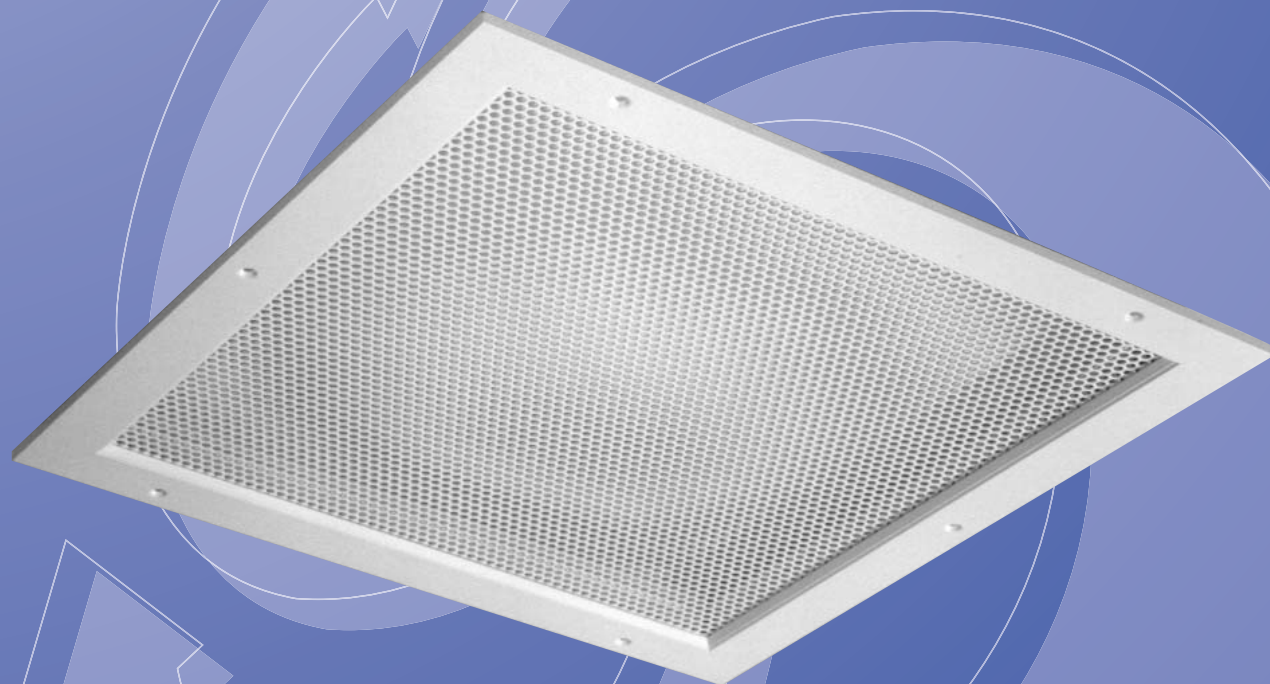
# SERIES PE

Perforated Face  
Extract Grilles

PUBLICATION

GRILLES 11

APRIL 2012



## Features

- Perforated Face Design.
- Robust Mild Steel Fascia.
- Flexible Size Range.
- Fixed Core.



**GILBERTS**

# SERIES PE

## Perforated Face Extract Grille

### Introduction

Gilberts Series PE provides a comprehensive and established range of Perforated Face Type Grilles to suit all types of extract application in ceilings and sidewalls. Attractively styled the

unit comprises of a perforated, 50% free area, steel fascia fixed in a 32mm aluminium flange border frame.

#### Series Options:

**TYPE PE** Perforated face extract grille in 32mm flange frame.

**TYPE PE-DO** Perforated face extract grille in 32mm flange frame complete with opposed blade volume control damper

All units are available complete with screwdriver operated, rear mounted, opposed blade volume control dampers as well as other accessories such as knob operated dampers and special fixings such as quick release.

Standard finish on the PE Series is a Polyester Powder White, other special colours and finishes are available on request.

### Performance Data

All PE type units can be sized and selected from the nomogram up to a maximum size of 1200 x 1200.

#### References used:

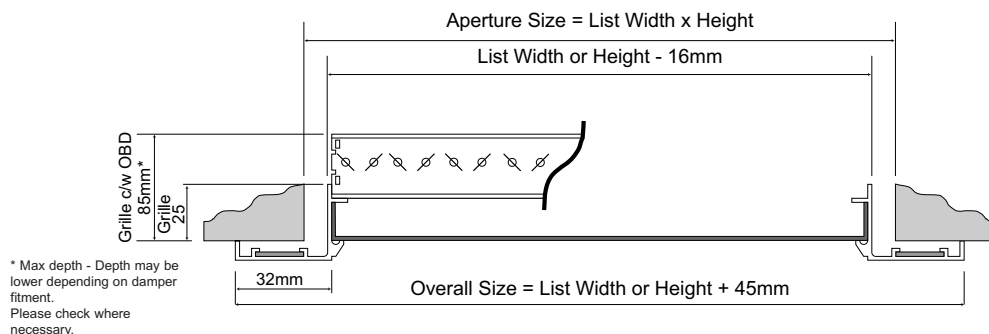
**PRESSURE:** All pressures are in Pa (N/m<sup>2</sup>).

**SOUND:** measured in average dBA level.

SPACED SERVED	Sound Level db 'A' Scale	RECOMMENDED VELOCITIES			
		AIR VOLUME	0.05 m <sup>3</sup> /s	0.25 m <sup>3</sup> /s	1.0 m <sup>3</sup> /s
Broadcasting & Rec. Studio	20 - 25	Velocity m/s	2.0	1.5	1.0
Board or Conference Rooms Churches, Concert Halls, Hospitals, Lecture Theatres, Offices, Hotels, Private Houses	30	Velocity m/s	3.0	2.5	2.0
Banks, Courtrooms, General Offices, Libraries, School Classrooms	35	Velocity m/s	3.5	3.0	2.5
Cinemas Departmental Stores, Restaurants	40	Velocity m/s	4.0	3.5	3.0
Computer Rooms, Supermarkets	45	Velocity m/s	4.5	3.75	3.25
Laundries and kitchens, Typing Pools, Light Engineering Factories, Sport Arenas	50	Velocity m/s	5.0	4.25	3.5
Heavy Engineering Factories	60	Velocity m/s	8.0	6.5	5.0

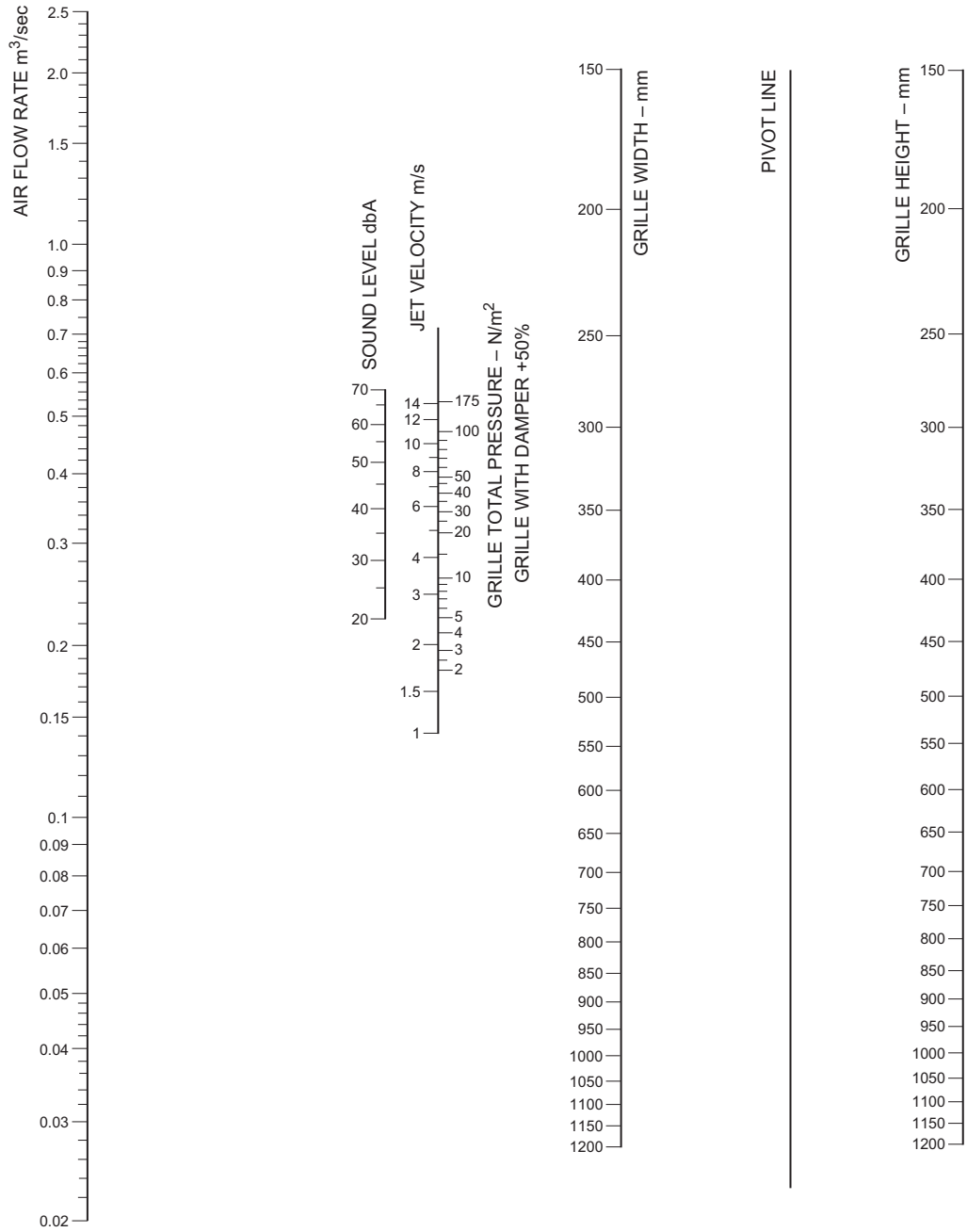
### Selection Procedure

Referring to table determine the maximum permissible velocity relative to the volume for the application. Reference can then be made to the Series PE sizing nomogram from which the terminal size can readily be determined and additional data such as sound levels, jet velocity and pressure drops calculated.





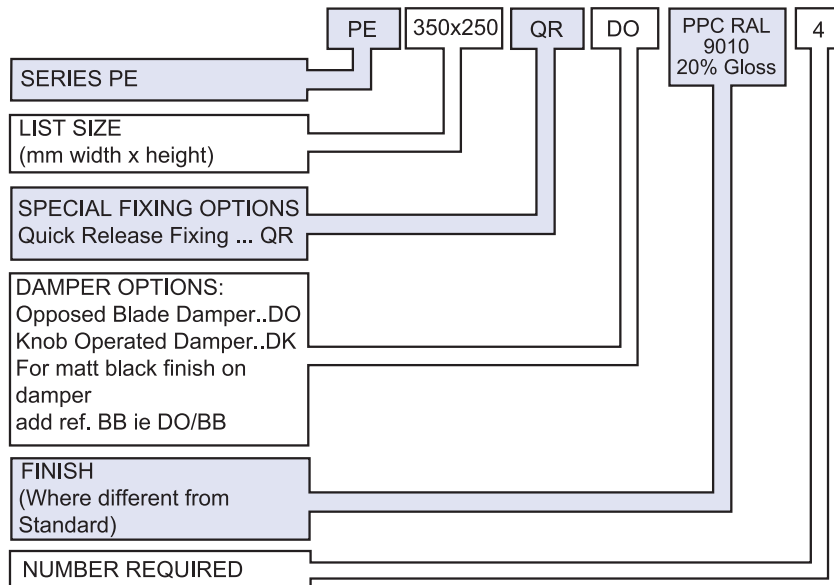
# Performance Data



# SERIES PE

Perforated Face Extract Grille

## Ordering Specification



Example: PE 350x250/SC/DO/BB PPC RAL 9010 20%Gloss

### Finish

**Standard Finish:** Polyester Powder Coat  
White RAL 9010 20%  
Gloss.

**Special Finishes:** Polyester Powder finish to  
Stock BS or RAL colour.  
(Dampers Mill finish  
Aluminium or Galvanised  
Steel)

### Size Range

From 100 x 100 up to 1200 x 1200 in 1mm  
increments as standard.  
For other sizes please contact Head Office

### Options

Special fixing, border and damper options  
detailed separately in grille  
options and accessories data.

## GILBERTS

Head Office and Works  
**GILBERTS (BLACKPOOL) LTD**  
Gilair Works, Clifton Road,  
Blackpool.  
Lancashire FY4 4QT.  
Telephone: (01253) 766911  
Fax: (01253) 767941  
e-mail: [sales@gilbertsblackpool.com](mailto:sales@gilbertsblackpool.com)  
Web: [www.gilbertsblackpool.com](http://www.gilbertsblackpool.com)

