

SERIES PX

Air Extract Valves

PUBLICATION

V.A.V. & AIR VALVES 4

APRIL 2012



Features

- Fully Adjustable Core.
- White Polypropylene.
- Corrosion and Chemical Resistant.
- Low Noise.
- Quick Easy Valve Removal.



GILBERTS

SERIES PX

Air Extract Valves

Introduction

Gilberts PX Series extract valves have been designed to provide a compact, clean and attractive means to extract stale air from bathrooms, toilets, washrooms, kitchens etc. Manufactured from white Polymid Plastic the valves have high resistance to most chemicals in low concentrations and can withstand temperatures of up to 100°C. By nature the units are also not susceptible to corrosion and their material construction combined with added core insulation ensures that they provide low noise levels.

PX Series is available in 5 sizes ranging from 100mm up to 200mm diameter, handling air volumes up to 100 l/s. A spring clip fixing arrangement allows fast push fit installation either into the fixing ring or a rigid circular duct. Removal for core adjustment or cleaning is easily achieved, without affecting valve settings, by twisting the valve sideways and pulling straight out. For valve adjustment the central core is rotated inwards or outwards on its centre shaft and then secured via the holding nut at the rear. Finish on the PX Series is self colour white.

Features

- Fully Adjustable Core.
- White Polypropylene.
- Corrosion and Chemical Resistant.
- Low Noise.
- Quick Easy Valve Removal.



Performance Data

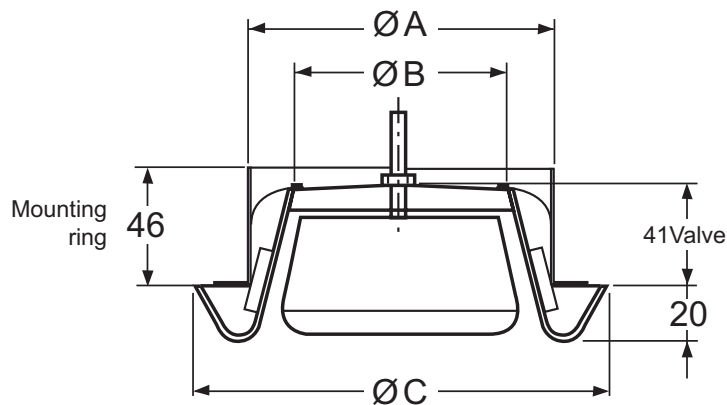
The pressure loss characteristics can be determined at the intersection with the core positioning lines. The core position is expressed in terms of the number of full rotations, inwards

and outwards, from its central position. Noise (dba) ratings are indicated in 5db Bands across the core positions.

Selection Procedure

Having established the position where units are to be located, use the Performance Data Tables to check the volume per unit against the maximum acceptable pressure

loss and noise values. Ideally units should be sized with the core in its central position to allow for adjustment and variations on site.

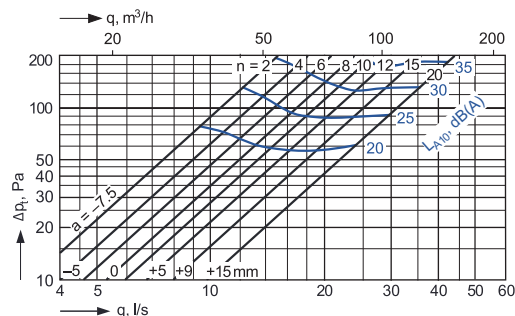


Size	A	B	C	Weight (kg)
PX100	100	70	145	0.12
PX125	125	95	160	0.16
PX150	150	116	190	0.22
PX160	160	125	200	0.26
PX200	200	170	243	0.34

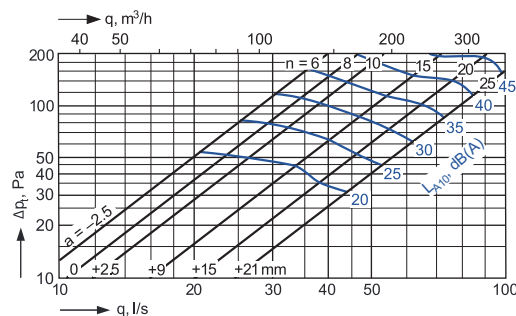


Performance Data

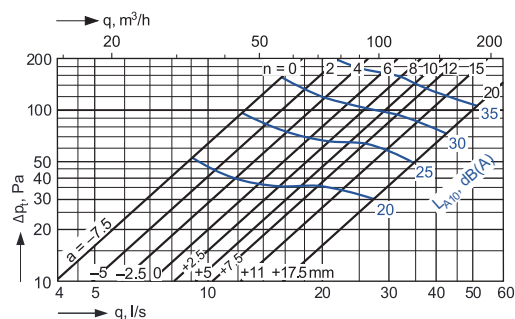
PX100



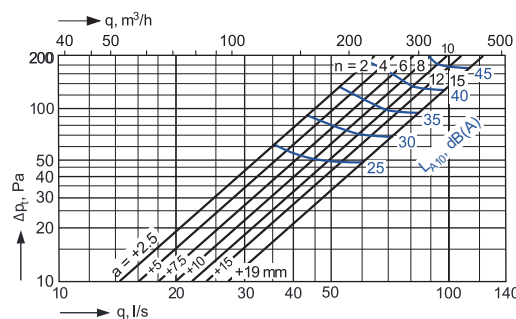
PX160



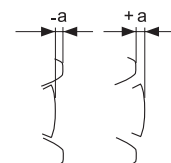
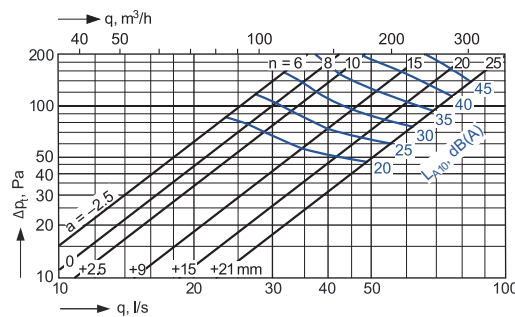
PX125



PX200



PX150



n = number of revolutions open a = slot orifice in mm

Sound power level

Size	Correction of sound level in dB at							
	63	125	250	500	1000	2000	4000	8000 Hz
100	-7	-6	-6	-4	-2	-1	-4	-11
125	-6	-5	-3	-4	-2	-1	-4	-13
150	1	2	1	-1	1	-4	-9	-18
160	1	2	1	-1	1	-4	-9	-18
200	1	2	4	0	-1	-4	-10	-18

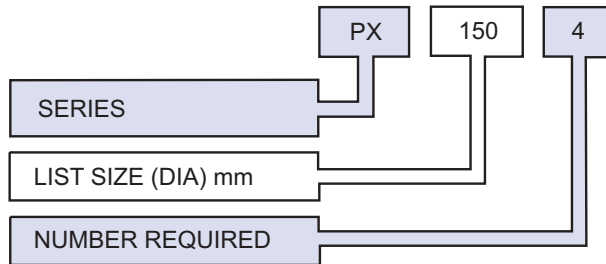
Sound attenuation

Size	Correction of sound level in dB at							
	63	125	250	500	1000	2000	4000	8000 Hz
100	22	21	15	13	11	10	6	9
125	21	19	13	11	10	10	7	9
150	20	16	12	10	9	10	8	8
160	20	16	12	10	9	10	8	8
200	17	12	7	5	4	4	7	5

SERIES PX

Air Extract Valves

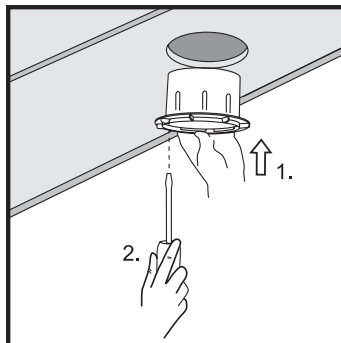
Ordering Specification



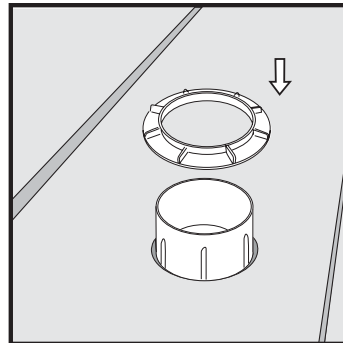
FIXING

Series PX is supplied with a fixing ring. Either screw fix or use the rear clamp to secure the fixing ring into structure.

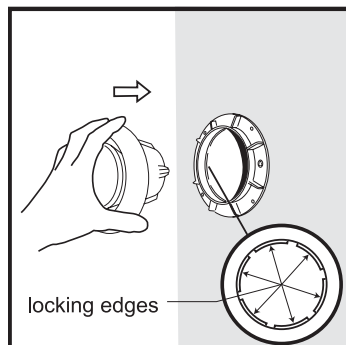
Screw Fix



Clamp



To install the valve, simply align the valve spring clips with the lip on the fixing ring and push until it click locks. To remove, simply rotate until the valve disengages and then pull to remove.



FINISH

Self colour white.

GILBERTS

Head Office and Works
GILBERTS (BLACKPOOL) LTD
Gilair Works, Clifton Road,
Blackpool.
Lancashire FY4 4QT.
Telephone: (01253) 766911
Fax: (01253) 767941
e-mail: sales@gilbertsblackpool.com
Web: www.gilbertsblackpool.com

