

# SERIES GX

Air Extract Valves

PUBLICATION

V.A.V. & AIR VALVES 3

NOV 2012



## Features

- Fully Adjustable Core
- Excellent Pressure Drop and Noise Characteristics.
- Quick, Easy Valve Removal.
- Inclusive Mounting Rings.
- Steel Construction with Durable
- White Stoved Finish.
- Fire Rated Valve Option.



**GILBERTS**

# SERIES GX

Air Extract Valves

## Introduction

Gilberts GX Series of valves have been designed to provide a compact, clean and attractive means of extracting stale air from bathrooms, toilets, washrooms and kitchens, etc. Manufactured from sheet steel and finished in durable white stove enamel they will cater for relatively high pressure losses at comparatively low sound levels permitting economic selection at high air volumes and velocities.

A screw in bayonet type fixing arrangement facilitates fast installation and removal from the mounting ring supplied to allow for core adjustment or valve cleaning without affecting the valve settings. A foam gasket fitted to the valve body also ensures an airtight seal.

### THE EXTRACT VALVE range comprises of three unit types:

- Type GX Standard valve design available in five sizes, all complete with mounting ring.
- Type GXD Improved valve design to provide smoother air flow characteristics and lower noise levels. Available in five sizes all complete with mounting ring.
- Type GXF Combination fire damper and extract valve.

## Features

- Fully Adjustable Core
- Excellent Pressure Drop and Noise Characteristics.
- Quick, Easy Valve Removal.
- Inclusive Mounting Rings.
- Steel Construction with Durable
- White Stoved Finish.
- Fire Rated Valve Option.



Valve adjustment is achieved by simply rotating the central core inwards or outwards on its spindle and locking into its set position using the holding nut at the rear of the valve assembly. The GXF Fire Rated Valve functions as a normal extract valve, sharing the same basic construction and performance as the GXD, however this unit also incorporates a spring

loaded core and fusible link mechanism. As temperatures reach 70°C the fusible link will melt allowing the core to spring to a failsafe closed position providing a 2 hour rated unit as tested in accordance with BS 476 part 20 1987.

## Performance Data

For sizing and selection Performance Data Tables for each respective size and type are provided on the following pages. For any given volume the pressure loss characteristics can be determined at the intersection with the core positioning lines. The core position is expressed in terms of the number of

mm, inwards and outwards, from its central position as shown in the dimensional illustrations. Noise (dba) ratings are indicated in 5db Bands across the core positions.

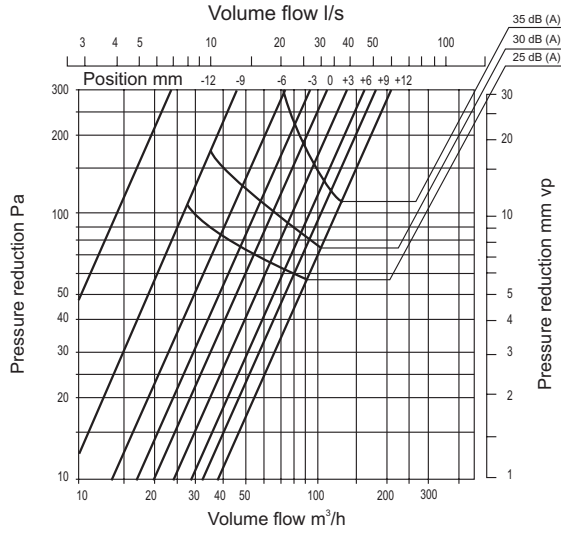
## Selection Procedure

Having established the positions where units are to be located, use the Performance Data Tables to check the volume per unit against the maximum acceptable pressure loss and noise values.

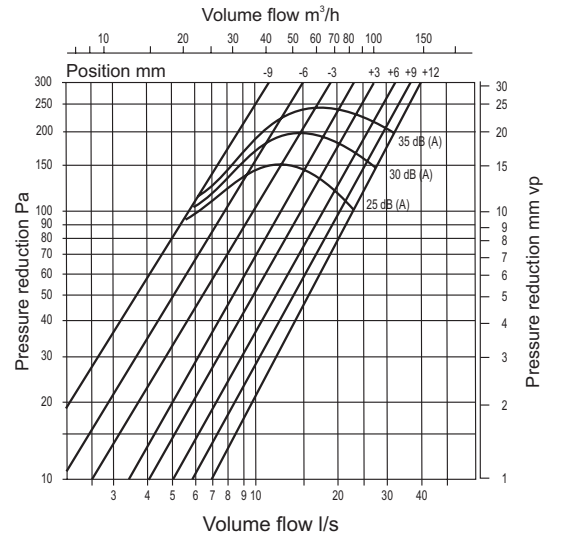
Ideally units should be sized with the core in its central position to allow for adjustment and variations on site.

Performance  
Data

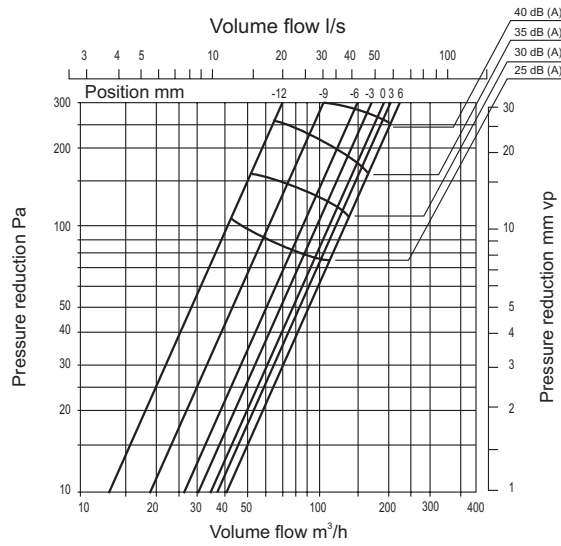
**GX 100**



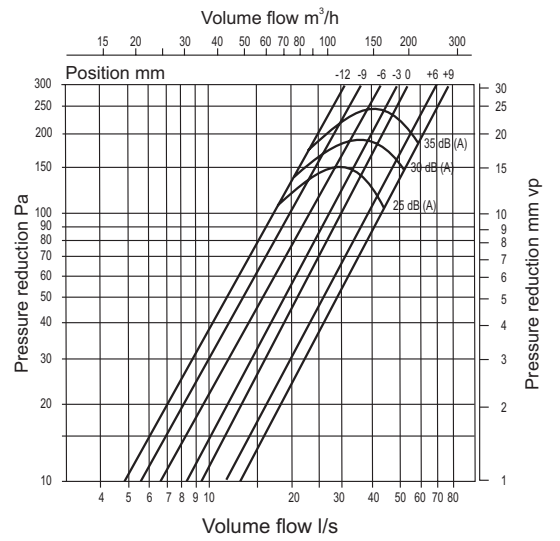
**GXD & GXF 100**



**GX 125**



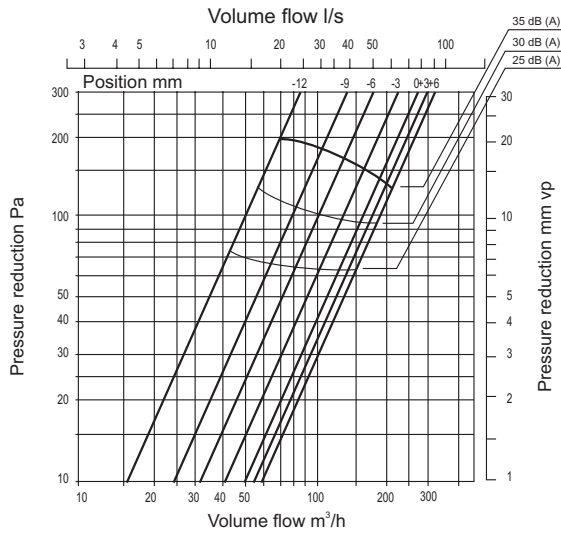
**GXD & GXF 125**



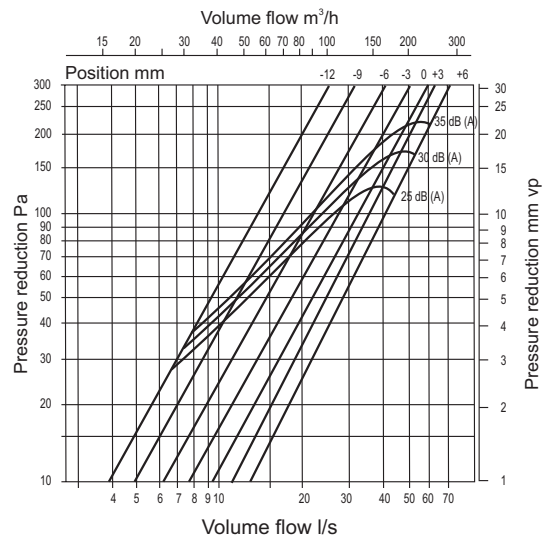


# Performance Data

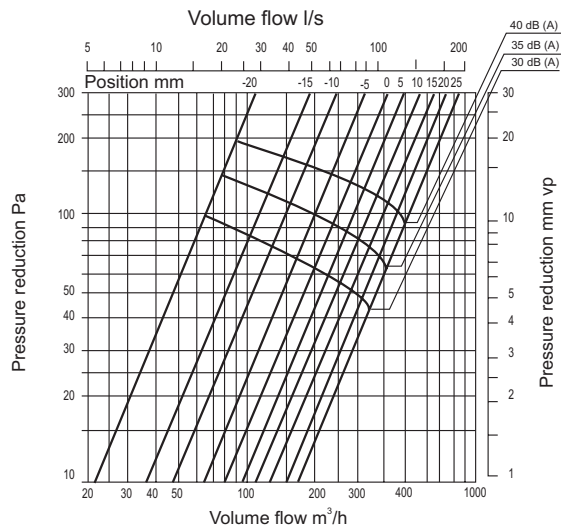
## GX 150/160



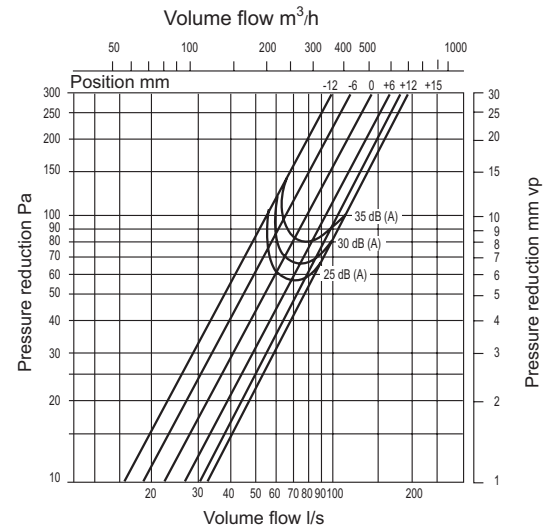
## GXD & GXF 150/160



## GX 200

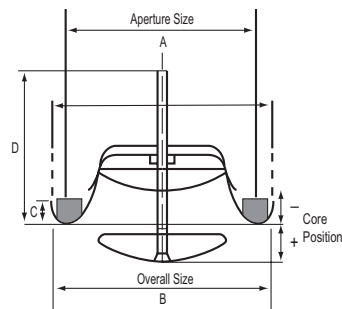


## GXD & GXF 200





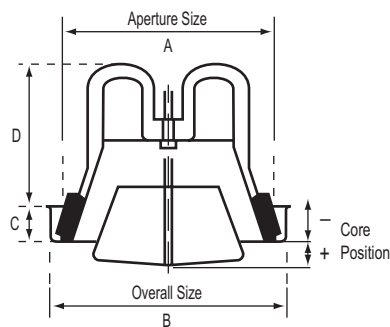
## Type GX



### DIMENSIONAL DATA

TYPE	A	B	C	D	Weight (Kgs)
GX100	100	137	10	75	0.20
GX125	125	161	10	95	0.31
GX150	150	202	10	95	0.40
GX160	160	212	10	95	0.47
GX200	200	248	10	120	0.66

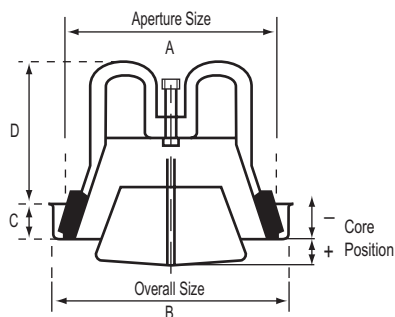
## Type GXD



### DIMENSIONAL DATA

TYPE	A	B	C	D	Weight (Kgs)
GXD100	100	134	15	74	0.33
GXD125	125	160	15	85	0.42
GXD150	150	191	15	89	0.55
GXD160	160	191	15	89	0.60
GXD200	200	241	15	107	0.76

## Type GXF



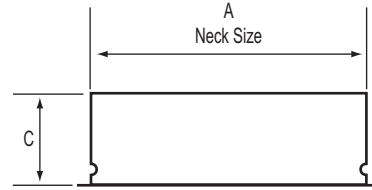
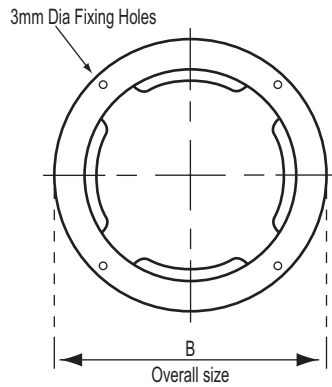
### DIMENSIONAL DATA

TYPE	A	B	C	D	Weight (Kgs)
GXF100	100	134	15	74	0.33
GXF125	125	160	15	85	0.42
GXF150	150	191	15	89	0.55
GXF160	160	191	15	89	0.60
GXF200	200	241	15	107	0.76

# SERIES GX

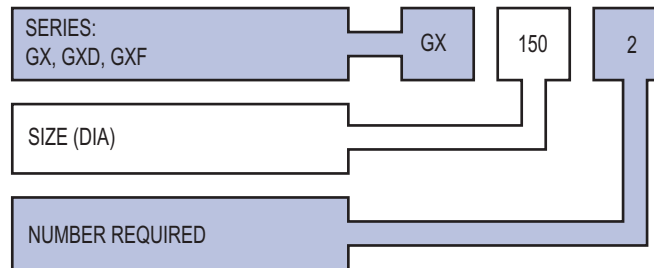
Air Extract Valves

## Type GX, GXD and GXF Mounting Ring



SIZE	A	B	C	Weight (Kgs)
100	99	122	50	0.07
125	124	148	50	0.09
150	149	175	50	0.11
160	159	184	50	0.12
200	199	225	50	0.15

## Ordering Specification



### FIXING

Quick, quarter turn, screw  
in fixing into mounting ring.

### FINISH

**Standard Finish:**  
Standard finish for all units  
is a Stove Enamel White.

## GILBERTS

Head Office and Works  
**GILBERTS (BLACKPOOL) LTD**  
Gilair Works, Clifton Road,  
Blackpool.  
Lancashire FY4 4QT.  
Telephone: (01253) 766911  
Fax: (01253) 767941  
e-mail: [sales@gilbertsblackpool.com](mailto:sales@gilbertsblackpool.com)  
Web: [www.gilbertsblackpool.com](http://www.gilbertsblackpool.com)

