

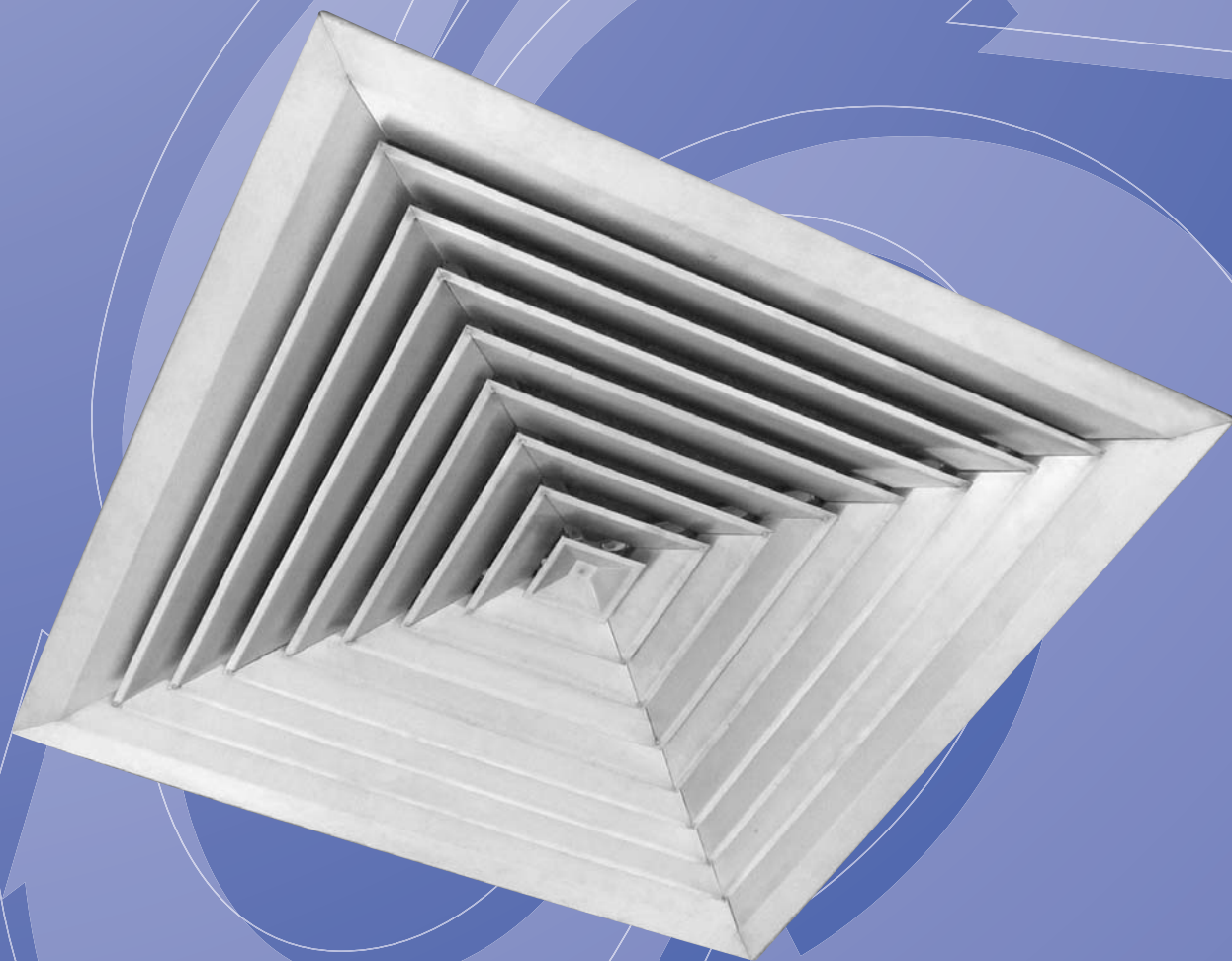
SERIES SS

Air Steel

PUBLICATION

GRILLES 16

JAN 2015



Features

- Wide Selection of Designs and Styles
- Flexible Size Range
- Natural Stainless Steel Finish
- Robust Industrial Stainless Steel Construction



GILBERTS

SERIES SS

Air Steel

Introduction

Gilberts Series SS 'Airsteel'. With this new Series Gilberts provide a comprehensive range of stainless steel grilles and diffusers designed to suit the most demanding of projects. Fabricated in a plain industrial grade 304 and 430 stainless steel the units are very robust and are suitable principally for both industrial and heavy commercial applications. Care should be taken for light commercial applications (such as offices, shops etc) where a plain stainless steel finish and industrial build styling may not be suitable. Polyester Powder finish top coat is optionally available for improved

visual aesthetics.

All units are available complete with optional screwdriver operated opposed blade volume control dampers, with dampers manufactured in aluminium. Specialised plenum boxes can also be made to complement all of the different types.

Features

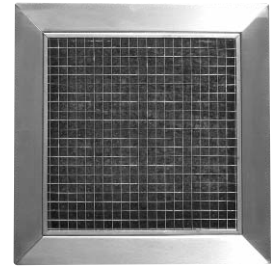
- Wide Selection of Designs and Styles
- Flexible Size Range
- Natural Stainless Steel Finish
- Robust Industrial Stainless Steel Construction



Series SS-DG
Louvred Face Diffuser



Series SS-G
Single & Double Deflection Grilles



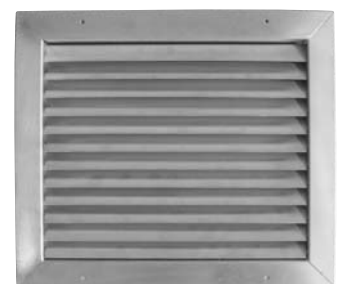
Series SS-GE
Eggcrate Grilles



Series SS-SK
Fixed Blade Grilles



Series SS-PE
Perforated Face Grilles



Series SS-NV
Vision Proof Transfer Grilles

Selection Procedure

All units can be sized and selected from the sizing charts and nomograms published in the datasheets for their matching aluminium counter parts.



Introduction

Gilberts SS-DG Series of stainless steel Louvred Face Diffusers offer a distinct new evolution on a popular design theme. The series was designed and is especially suitable for heavy duty industrial type applications such as manufacturing facilities and warehouses. All units are 4 way pattern and available in a wide range of square sizes ranging

from 150 x 150 neck size up to 600 x 600 in 75mm increments. All Gilberts SS-DG units also benefit from a robust spring loaded removable core assembly which allows easy access to dampers for initial balancing or cleaning and safety cords to firmly secure the core to the diffuser frame.

Standard Series:

Type SS-DGA : Louvred Face Diffuser with Standard border suitable for both suspended and plaster ceiling applications.

Features

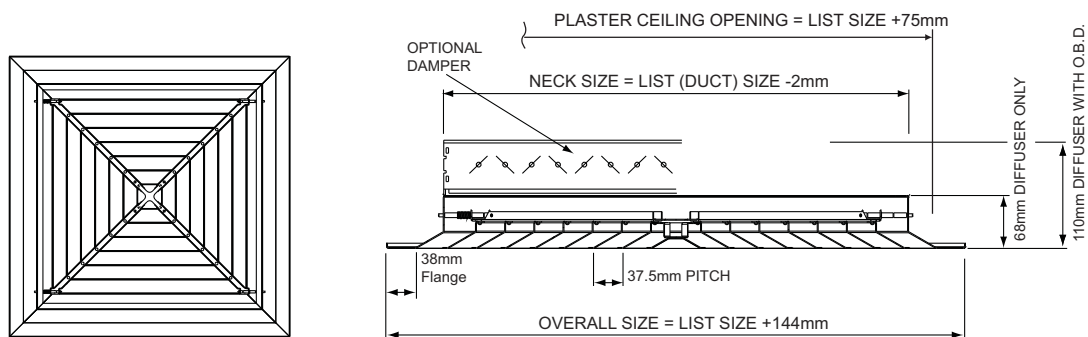
- Popular attractive Louvred Face Design
- Spring Loaded Removable Core
- Heavy Duty Steel Diffuser Construction
- Robust Industrial Stainless Steel construction



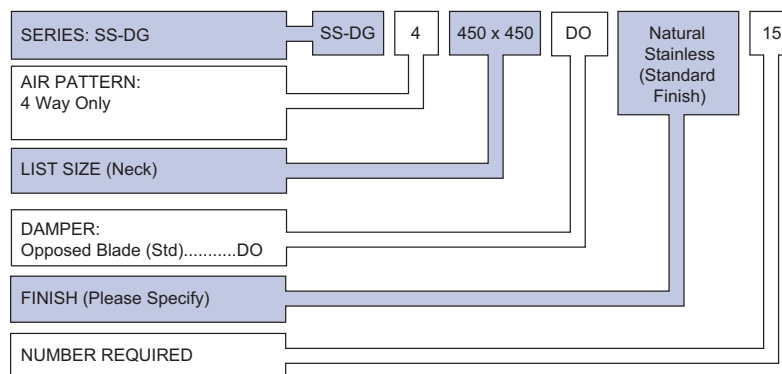
For volume control the standard screwdriver operated opposed blade damper is available typically in aluminium attached directly to the diffuser.

Standard finish for all SS-DG Series is a natural stainless finish.

Dimensional Data



Ordering Specification



SERIES SS

Air Steel

Introduction

Gilberts SS-G Series provides an established and comprehensive range of heavy duty stainless steel single and double adjustable deflection grilles for all types of ceiling and sidewall supply application. Comprising of robust 6mm wide individually adjustable aerofoil blades set on 25mm centers the SS-G Series was

designed, and is especially suitable, for both standard and heavy duty industrial type applications such as manufacturing facilities and warehouses. Blades are firmly located into a 50mm flange border frame allowing for simple and positive manual blade adjustment and positioning.

Series Options

Type SS-GH: Single Deflection Grille with one set of horizontal blades.

Type SS-GV: Single Deflection Grille with one set of vertical blades.

Type SS-GHV: Double Deflection Grille with horizontal front and vertical rear blades.

Type SS-GVH: Double Deflection Grille with vertical front and horizontal rear blades.

Features

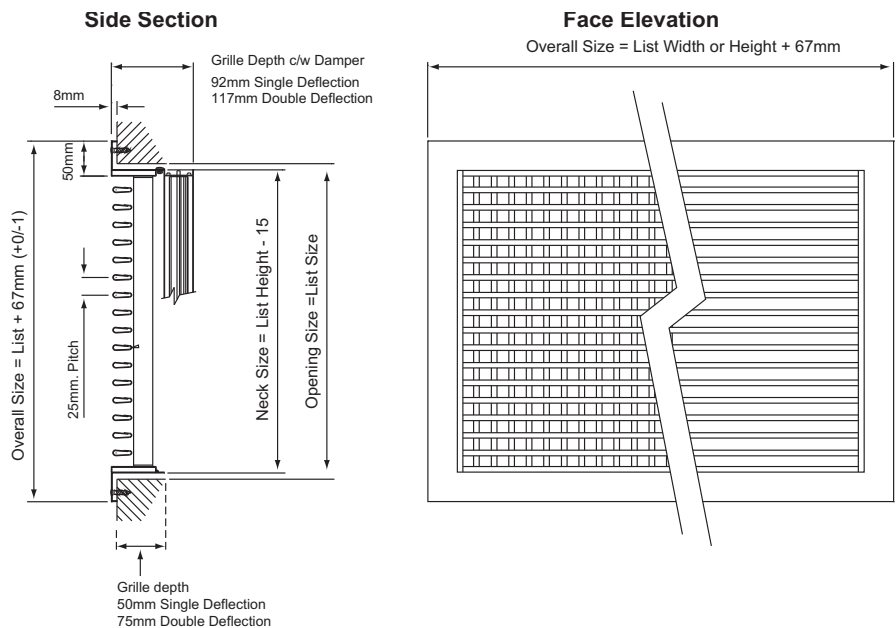
- Single or Double Deflection
- Individually Adjustable Blades
- 6mm Aerofoil Section Blade Profile
- Robust Industrial Stainless Steel Construction



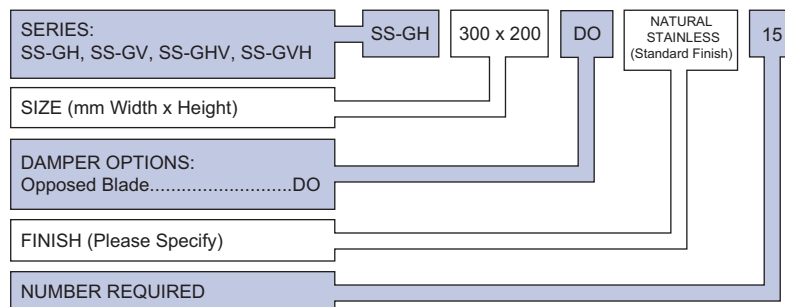
All units are available complete with typically aluminium screwdriver operated, opposed blade volume control damper mounted at rear. Standard fixing is screw fix through

the flange. Standard finish for all SS-G Series is a natural stainless finish.

Dimensional Data



Ordering Specification



Size Range

Available sizes range from 100 x 100 up to 1200 x 600 in 25mm increments. For other sizes please contact head office



Introduction

Gilberts SS-GE Series provides a comprehensive range of stainless steel Eggcrate type grilles to suit all types of extract application in both ceiling and walls. The series was designed and is especially suitable for heavy duty industrial type applications such as manufacturing facilities and

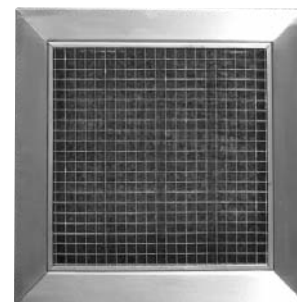
warehouses. Attractively styled with both a 13mm or 25mm square Eggcrate core option the SS-GE is available in a 50mm flange border frame suitable for all general purpose sidewall and ceiling installations

Series Options:

- TYPE SS-GECA** - 13mm square Eggcrate grille in 50mm flange frame.
- TYPE SS-GECA/1** - 25mm square Eggcrate grille in 50mm flange frame.

Features

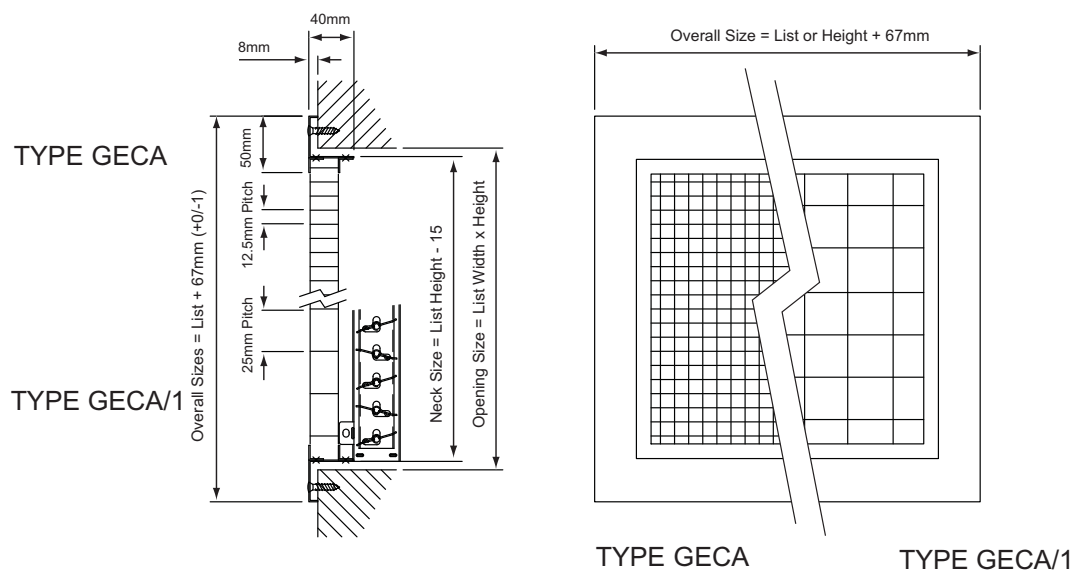
- 13mm or 25mm Eggcrate Core
- Flange 50mm Frame Border
- Wide Flexible Size Range
- Robust Industrial Stainless Steel Construction



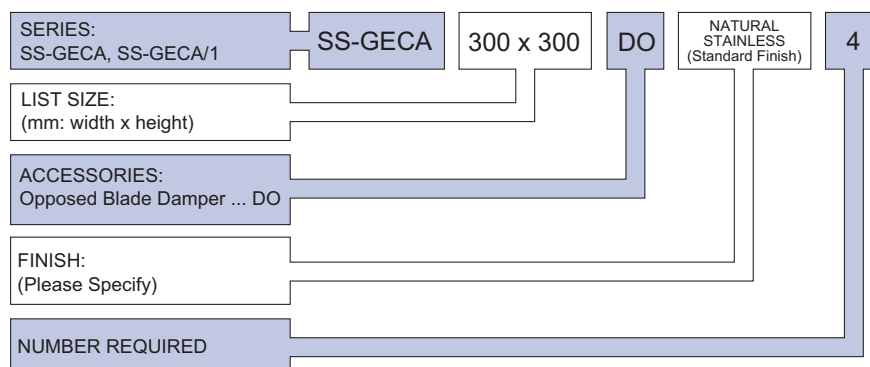
All units are available complete with typically aluminium screw driver operated, opposed blade volume control damper mounted at rear.

Standard finish for all SS-GE Series is a natural stainless finish.

Dimensional Data



Ordering Specification



Size Range

Available sizes range from 100 x 100 up to 1200 x 600 in 25mm increments. For other sizes please contact head office

SERIES SS

Air Steel

Introduction

Gilberts SS-SK Series provides a practical range of Heavy Duty stainless steel fixed blade grilles suitable for many more robust application requirements such as car parks, factory premises, stairwells, outbuildings etc. Designed for supply or extract application all units comprise of a sturdy 3mm steel formed blade angled at 0° for supply or 15 and

40° for extract according to preference and set on a 19mm pitch. All blades are welded into castellated vertical supports which in turn are welded into the 50mm Flange border frame which provides an exceptionally strong grille structure.

Series Options:

- Series SS-SK 0** :Heavy duty fixed blade grille with straight 0° Blades
- Series SS-SK 15** :Heavy duty fixed blade grille with 15° Blades
- Series SS-SK 40** :Heavy duty fixed blade grille with 40° Blades

Features

- Heavy Duty All Welded Construction
- Finline 3mm Fixed Blade Construction
- 0, 15 or 40 Fixed Blade Angle
- Robust Industrial Stainless Steel construction

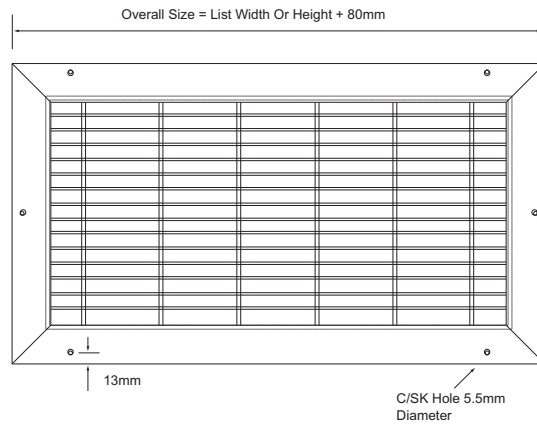


All units are available complete with typically aluminium screwdriver operated, opposed blade volume control damper mounted at the rear.

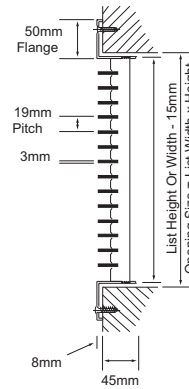
Standard finish for SS-SK series is a natural stainless finish.

Dimensional Data

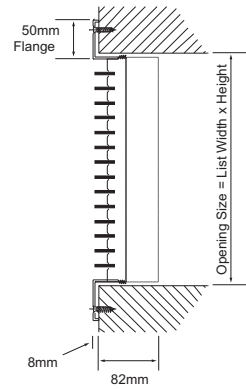
SS-SK



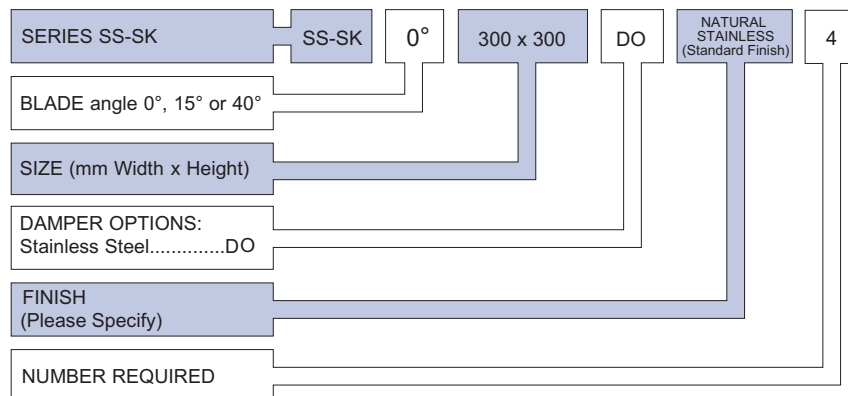
GRILLE



GRILLE C/W DAMPER



Ordering Specification



Size Range

Available sizes range from 100 x 100 up to 1200 x 600 in 25mm increments. For other sizes please contact head office



Introduction

Gilberts Series SS-PE provides a comprehensive and established range of Perforated Face Type Grilles to suit all types of extract application in ceilings and sidewalls. The series was designed and is especially suitable for heavy duty

industrial type applications such as manufacturing facilities and warehouses. Robustly styled the unit comprises of a perforated, 50% free area, steel fascia fixed in a robust 50mm flange border frame.

Series Options:

- TYPE SS-PE:** Perforated face extract grille in 50mm flange frame.
- TYPE SS-PE-DO:** Perforated face extract grille in 50mm flange frame complete with opposed blade volume control damper

Features

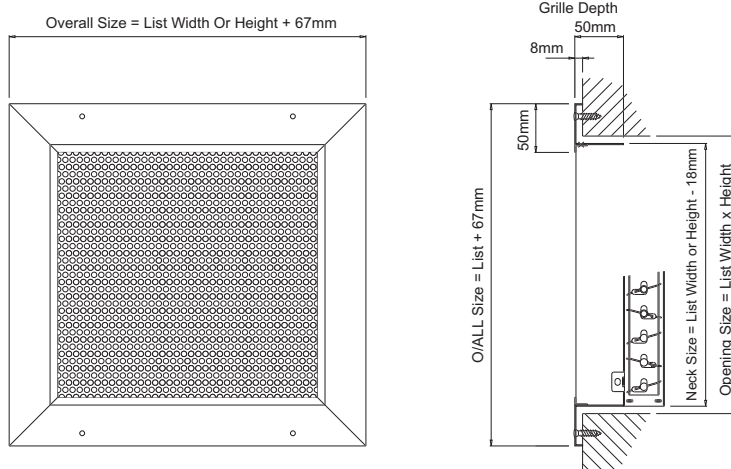
- Perforated Face Design
- Robust stainless Steel Fascia
- Flexible Size Range
- Fixed Core
- Robust Industrial Stainless Steel Construction

All units are available complete with typically aluminium screwdriver operated, opposed blade volume control damper mounted at rear.

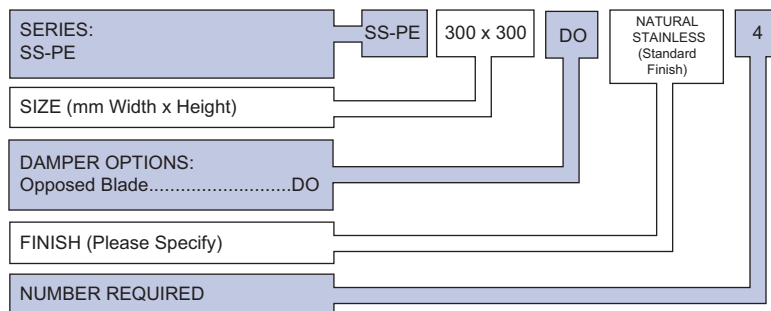


Standard finish on the SS-PE Series is a natural stainless finish.

Dimensional Data



Ordering Specification



Size Range

Available sizes range from 100 x 100 up to 1200 x 600 in 25mm increments. For other sizes please contact head office

SERIES SS

Air Steel

Introduction

Gilberts SS-NV Series provides a traditional range of stainless steel vision proof grilles to suit popular air transfer applications through walls and partitions. The series was designed, and is especially suitable, for heavy duty industrial type applications such as manufacturing facilities and warehouses. The steel V shape chevron blades are securely

fixed into a robust 32mm flange frame. With the blades mounted on a close 8mm pitch see through vision is impossible. The units are available in sizes ranging from 100 x 100 upto 600 x 600 in 25mm increments. Standard fixing is flange screw and standard.

Series Options

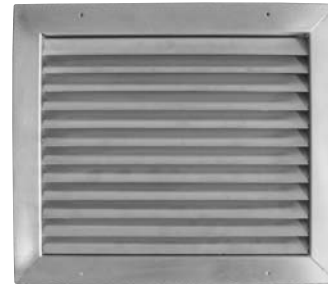
Type SS-NV2 Vision proof core in 32mm flanged border. Designed for wall or partition mounting.

Features

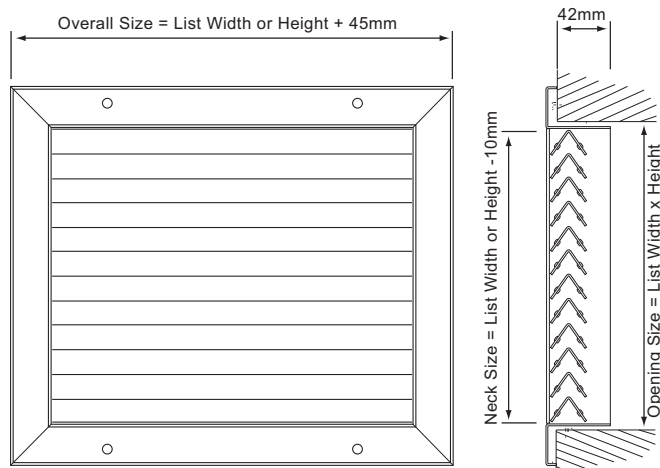
- Chevron Blade Vision Proof Core
- Wall or Partition Mounting
- Robust Industrial Stainless Steel construction

FIXING

Flange screw fixing using self tapping screws provided



Dimensional Data



Ordering Specification

SERIES: SS-NV2	SS-NV2	300 x 200	NATURAL STAINLESS (Std)	4
LIST SIZE: (mm Width x Height)				
FINISH: (Please Specify)				
NUMBER REQUIRED				

GILBERTS

Head Office and Works
GILBERTS (BLACKPOOL) LTD
Gilair Works, Clifton Road,
Blackpool.
Lancashire FY4 4QT.
Telephone: (01253) 766911
Fax: (01253) 767941
e-mail: sales@gilbertsblackpool.com
Web: www.gilbertsblackpool.com

