

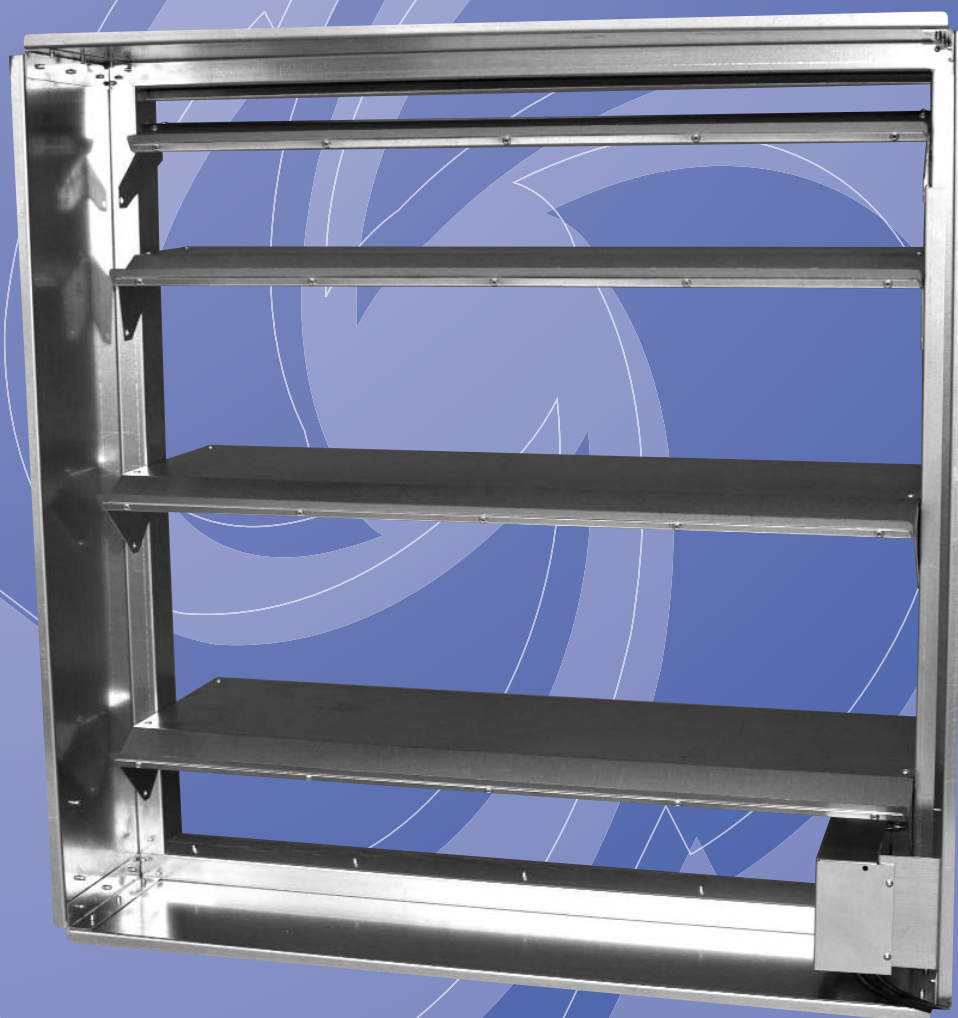
SERIES 54

Smoke Evacuation
Damper

PUBLICATION

DAMPERS 10

NOVEMBER 2018



Features

- 1.5 mm Galvanised steel construction
- Motor open or motor closed operation
- Tested in line with EN1366 Pt 2 and EN12101-2
- Low leakage rate
- High Free area design
- Optional Decorative Fascia grilles



GILBERTS

SERIES 54

Smoke Evacuation Damper

Introduction

The Series 54 smoke damper range has been designed to satisfy smoke ventilation applications and is particularly suited for smoke evacuation shafts and risers in multi storey buildings.

A multi, parallel linked blade smoke damper the Series 54 is manufactured from robust 1.5 mm galvanised steel. Usefully the damper combines both a low leakage rate, when closed, with a high free area, when open, to support high smoke evacuation rates.

All Series 54 dampers are fitted with a Belimo actuator to offer a powered motor open/close actuation.

Series 54 has been designed to provide both a practical and aesthetic solution. It is available in a wide range of sizes ranging from 400 x 500 to 1000 x 2000 (a small size 400x400 also available) with sizes based on the structural opening (aperture) dimensions. Effectively this means the largest size damper can provide up to 1.5m² of free area.

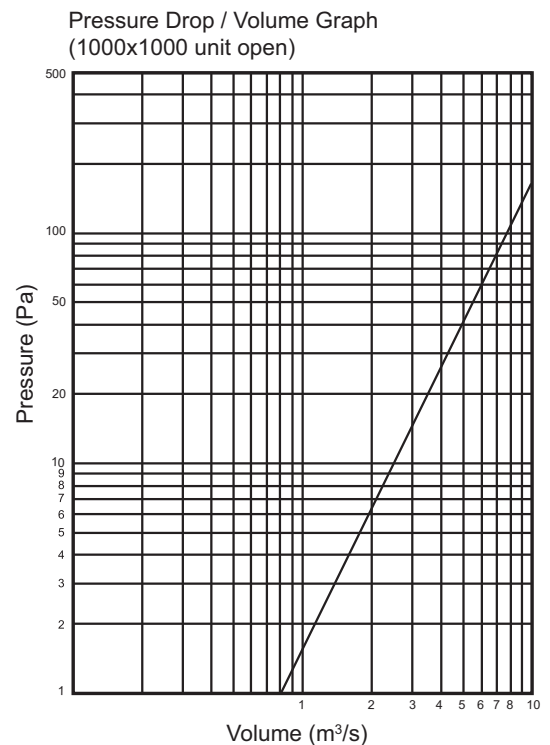
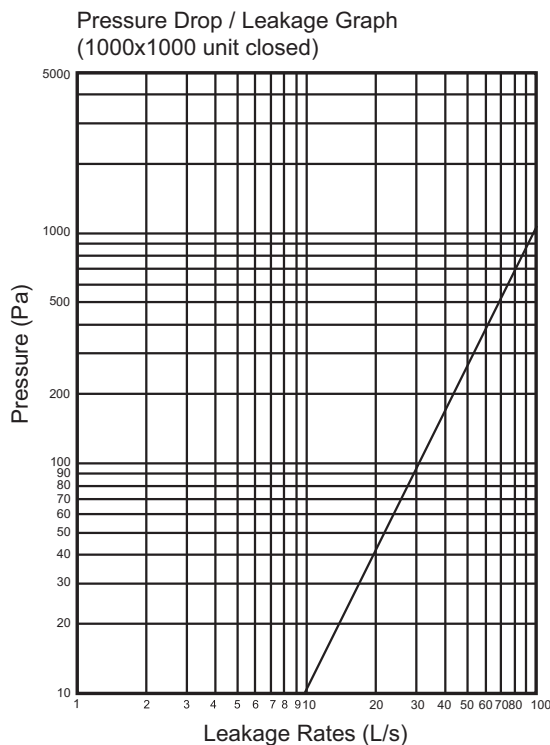
The damper has undergone an EN1366 Pt 2 test started from the closed position and lasted over 60 minutes for fire integrity (E60) but has no formal certification. In line with its role for smoke evacuation the unit has also been tested on its ability to open (and stay open) during heating and is approved to EN12101-2 : 2003 Annex G with a B300 rating. For aesthetic finishing, where required, the damper face can simply be powder coated to a stock RAL colour with an optional cover plate also fitted to disguise the motor. Alternatively dampers can be masked with fixed blade type cover grille (Gilberts Series K40 or K15) with blades angled at 40°, for virtual full damper masking, or 15° for a partial masking effect. These cover grilles can be face screw fixed or concealed fixed according to preference.

Features

- 1.5 mm Galvanised steel construction
- Motor open or motor closed operation
- Tested in line with EN1366 Pt 2 and EN12101-2
- Low leakage rate
- High Free area design
- Optional Decorative Fascia grilles



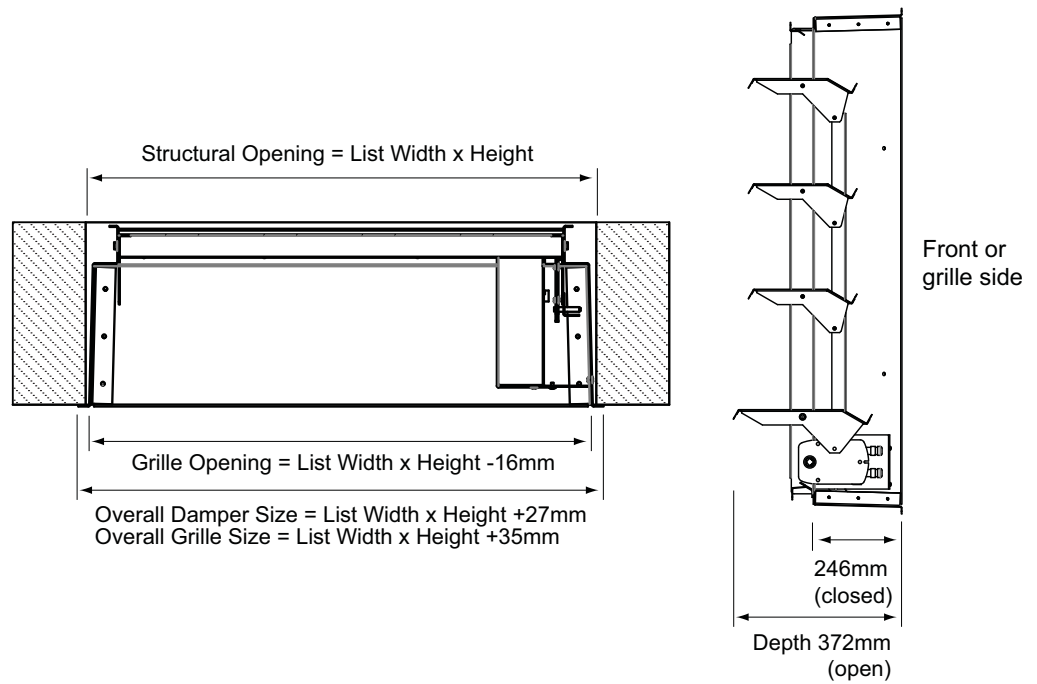
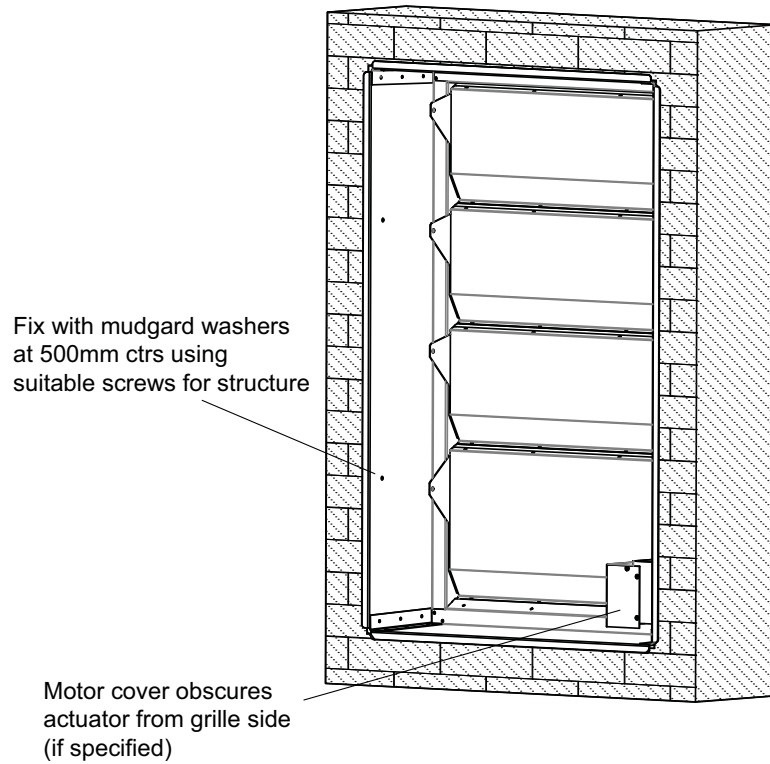
Pressure Graphs



During non-operational conditions the damper blades would normally be in the closed position.



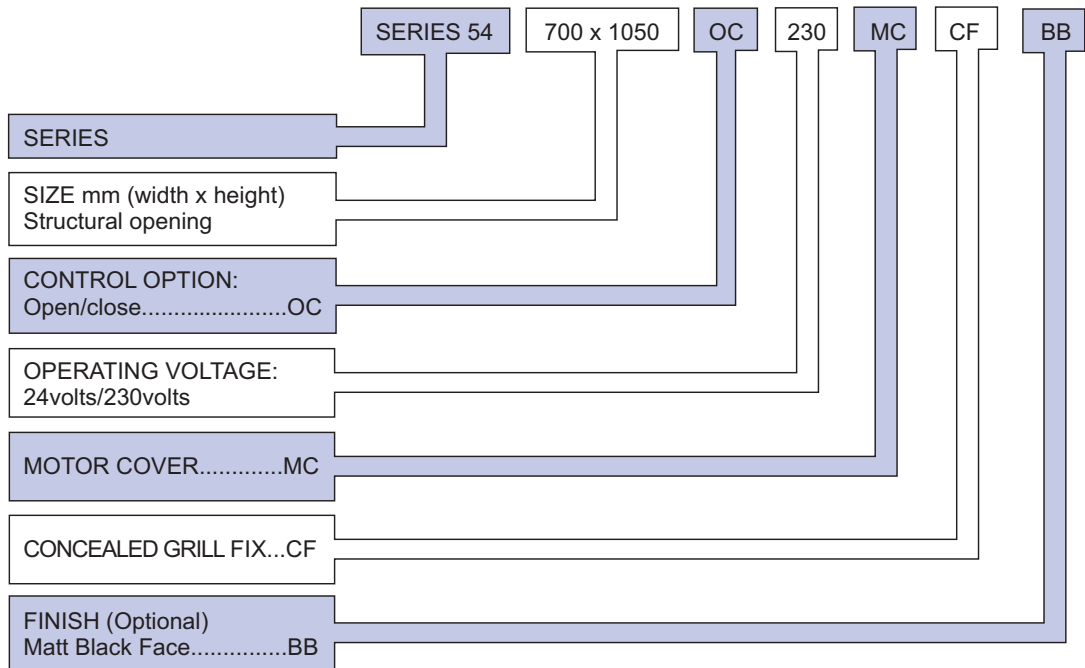
Dimensional Data



SERIES 54

Smoke Evacuation Damper

Ordering Specification



Free Area

Approximate free area with damper in the open position:

Size	Damper Only	Damper with K0/K15 Fascia Grille	Damper with K40 Fascia Grille
1000 x 2000 -	1.51m ²	1.51m ²	1.12m ²
1000 x 1500 -	1.1m ²	1.1m ²	0.84m ²
800 x 1000 -	0.55m ²	0.55m ²	0.448m ²

Weight

Damper weight approx 39Kg per SQ/M

Fascia Cover Grilles

For Fascia Grille options please refer to Gilberts Air Distribution Catalogue "Grilles" section

Engineering Specification

Damper & Mounting Frame

Damper with horizontal blades for air passage and 15mm returned edge all round for fixing to structure. Damper body formed in flanged Z sections 52 x 35 x 196. All manufactured from 1.5mm cold reduced galvanised steel to BS.EN.10142: 1991. The frame corners are joined using 6 No 4.8mm dia. sealed steel rivets on slotted holes to allow for expansion.

Blades

Parallel blade assembly constructed from 1.0mm thick x 100mm to 300mm wide cold reduced galvanised steel to BS.EN.10142: 1991 set at a 100mm to 300mm pitch selected to suit structure opening height. Each blade is connected to the link bar (1.5mm thick galv m/s) with 4.8 dia steel rivets.

Motor Drive

Belimo BLE drive motor (open/closed) fitted as standard.

GILBERTS

Head Office and Works
GILBERTS (BLACKPOOL) LTD
 Gilair Works, Clifton Road,
 Blackpool.
 Lancashire FY4 4QT.
 Telephone: (01253) 766911
 Fax: (01253) 767941
 e-mail: sales@gilbertsblackpool.com
 Web: www.gilbertsblackpool.com

